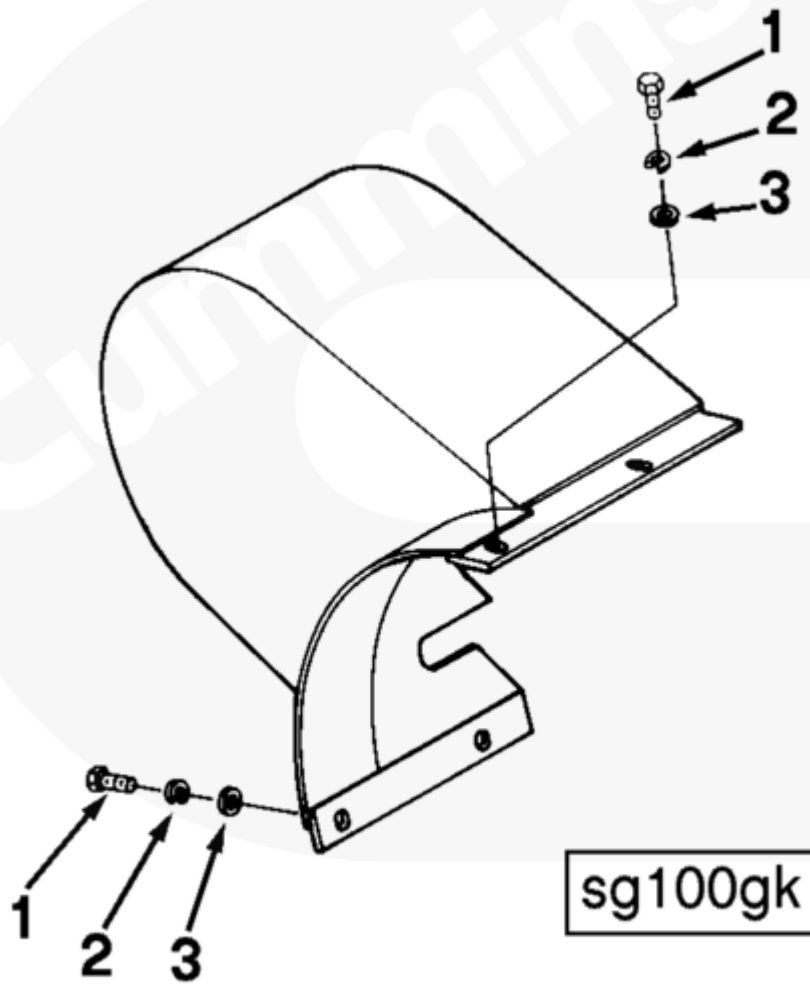




Parts Catalog - Option Detail

Electronic Parts Catalog - Option Detail				
Option	Group	Graphic	Film Card	Date
SG1704-01	15.03	sg100gk	FF	05-MAR-99
Engines	G855, G855 CM558, GTA855 CM558 (CM2358) G101, N14 CELECT, N14 CELECT PLUS, N14 MECHANICAL, NH/NT 855, QSM11 CM876 M101, QSM11 CM876 M102M, QSN14 CM876 N103, QSN14 CM876 N105, QSNT14 CM876 N102			

©Cummins Inc



[SMALL](#) | [MEDIUM](#) | [LARGE](#)

Cart	Ref No	Part Number	Part Description	Required	Remarks
View My Cart					

		SG1704-01	Front Engine Guard		
					Guard for crank driven
					alternator belt.
					Mounts to side of front PTO
					housing.
<input type="checkbox"/>	1	S 114	Hexagon Head Cap Screw	4	1/4 - 20 X 3/4 in.
<input type="checkbox"/>	2	S 600	Lock Washer	4	1/4 in.
<input type="checkbox"/>	3	146159	Plain Washer	4	1/4 Inch.
<input type="checkbox"/>	4	4019282	Belt Guard	1	

© 2019 Cummins Inc., Box 3005, Columbus, IN 47202-3005 U.S.A.
Terms of Use and Disclaimers | Recommended System Requirements
Need Assistance? Please click on the Contact Us button in the top right corner of any page.